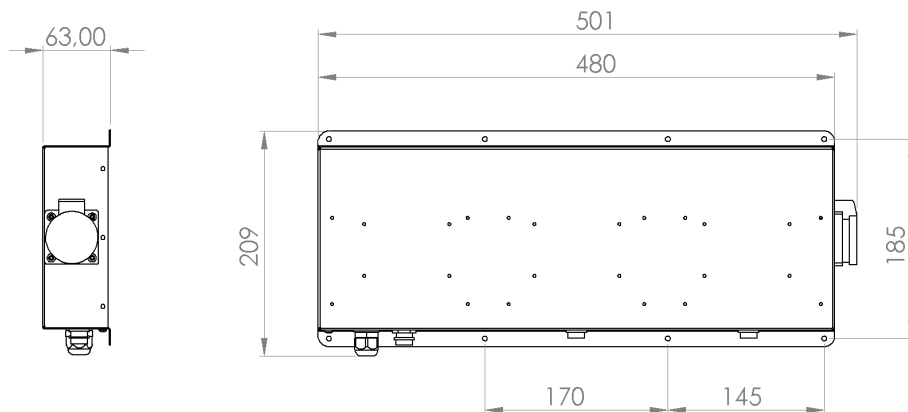
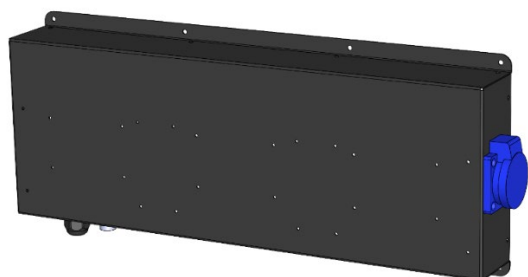


MODEL	CR-23
Product description	Power supply for ILC and MLC chargers
Enclosure	Powder coated steel (black)
Input voltage	100 ... 240 VAC 50-60 Hz 2,4 (+Outlet) A
Output voltage	3 x 12 VDC
Output current	Max. 4,5 A
Operating temperature	+5 °C ... +40 °C
Outlet	Max. 10 A (100 ... 240 VAC)
Weight	3,1 kg, empty CR-23 unit 3,7 kg, with 3 MLC chargers 4,2 kg, with 6 MLC chargers 4,6 kg, with 3 ILC chargers
Dimensions	Approx 210 mm (L) x 500 mm (W) x 63 mm (H)
Mounting	Wall mounted horizontal
Compatible product	Max. 3 pcs ILC (for MICA IL-series) Max. 6 pcs MLC (for MICA ML-series)
Input cable	Length 2,5 m Available with Euro, UK and US plug
Other features:	Chargers are easy to install. Full kit for installing different chargers is included. All racks are equipped with one socket for linkability.

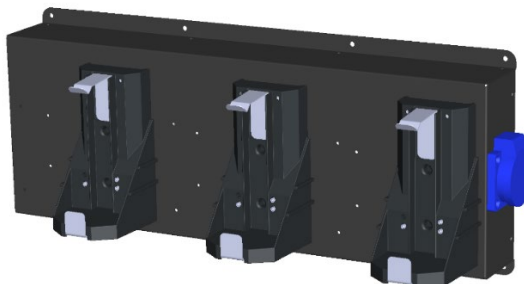




CR-23 Empty



CR-23 and 3 x MLC



CR-23 and 6 x MLC



CR-23 and 3 x ILC

